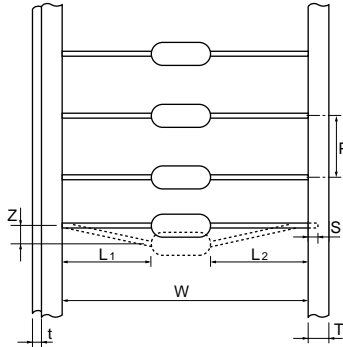


# Packaging for Leaded Resistors

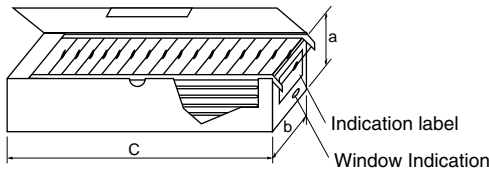
## ●Tape



Unit : mm

Style	W	L <sub>1</sub> -L <sub>2</sub>	T	t	P	Z	S
RC1/4 RC1/2 RC1/2U	52.4 <sup>+1.6</sup> <sub>-1.4</sub>	1.0max.	6.0±0.5	0.5max.	5.08±0.38	1.0max.	3.2min.

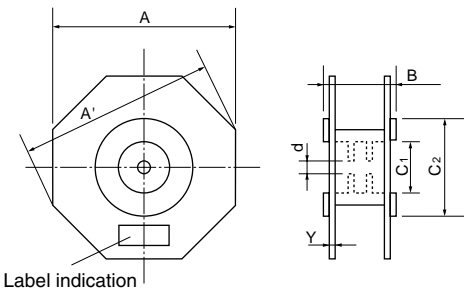
## ●Ammo Box



Unit : mm

Style	Code	a	b	c
RC1/4	TB 52mm Width Tape	60±5	75±5	275±5
RC1/2 RC1/2U		65±5		455±5

## ●Tape & Reel (Code : TD)

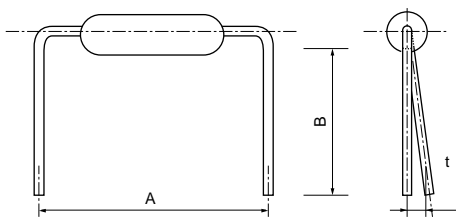


Unit : mm

Style	Code	A	*A'	B	C <sub>1</sub>	C <sub>2</sub>	d	*Y
RC1/4 RC1/2 RC1/2U	TD	260±5	280	75±5	60.4±1	78±1	14.5±0.5	3

\*Value for reference

## ●Horizontal Forming (Code : H)



Unit : mm

Style	Code	A	B	t
RC1/4	H60	10.0±0.5	5.0±0.5	1.5max.
RC1/4	H62	12.5±0.5		
RC1/2 RC1/2U	H	15.0±0.5		1.8max.

Style	Tape & Reel					Ammo Box					Bulk Packaging				
	Q'ty / Reel (pcs.)	Reel Size (mm)	Outer Carton			Width of Taping (mm)	Q'ty / Box (pcs.)	Outer Carton			M.P.Q. (Q'ty / Plastic Bag pcs.)	Q'ty / Inner Carton (pcs.)	Outer Carton		
			Q'ty / Carton (pcs.)	Gross Weight (kg)	Measurement (m <sup>3</sup> )			Q'ty / Carton (pcs.)	Gross Weight (kg)	Measurement (m <sup>3</sup> )			Q'ty / Carton (pcs.)	Gross Weight (kg)	Measurement (m <sup>3</sup> )
RC1/2U	3,000	260	24,000	13	0.04	52	2,000	30,000	16	0.05	500 (100×5)	5,000	30,000	13	0.04
RC1/2	3,000	260	24,000	13	0.04	52	2,000	30,000	16	0.05	500 (100×5)	5,000	30,000	13	0.04
RC1/4	5,000	260	40,000	12	0.04	52	2,000	30,000	10	0.03	1000 (200×5)	10,000	50,000	13	0.04